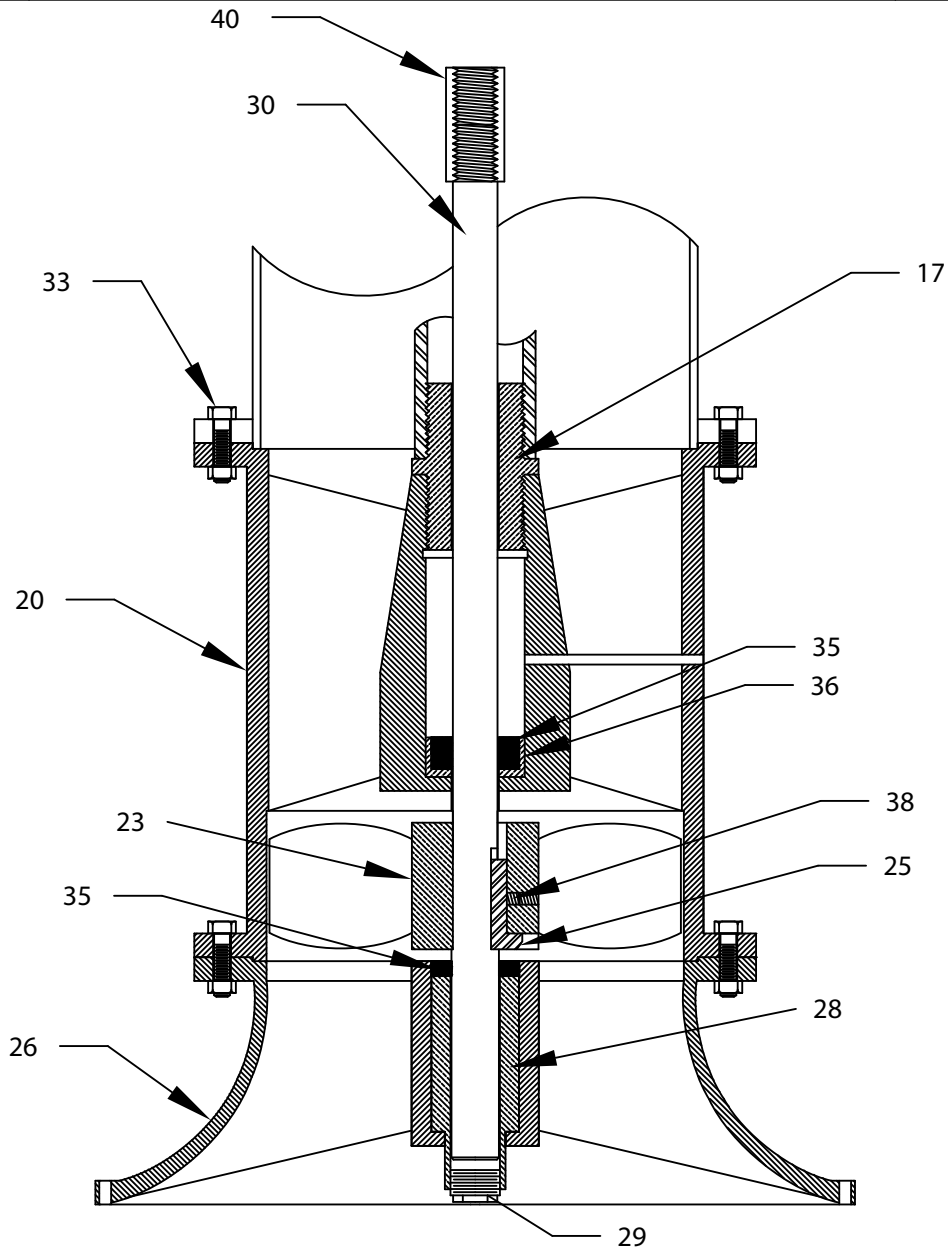


ITM.	PART NO.	QTY.	DESCRIPTION	MATERIAL	CUT FROM
17			TUBE ADAPTER BEARING	BRONZE	
20			BOWL	CAST IRON	
23			PROPELLER	BRONZE	
25			GIB KEY	416 SS	
26			SUCTION BELL	CAST IRON	
28			SUCTION BELL BEARING	BRONZE	
29			PIPE PLUG	CAST IRON	
30			PROPELLER SHAFT	416 SS	
33			FASTENERS	GR. 5 STL	
35			LIP SEAL	STL/BUNA N	
36			SEAL CUP	BRONZE	
38			SET SCREW	SS	
40			SHAFT COUPLING	CS	



AXIAL FLOW PUMP BOWL ASSEMBLY  
SINGLE STAGE - OIL LUBRICATED

**THE LO-LIFT PUMP CO., INC.**

PROPOSAL NO. \_\_\_\_\_  
CUSTOMER \_\_\_\_\_  
PROJECT \_\_\_\_\_

INQUIRY NO. \_\_\_\_\_  
SUBMITTED BY \_\_\_\_\_  
DATE \_\_\_\_\_ DRAWING NO. \_\_\_\_\_